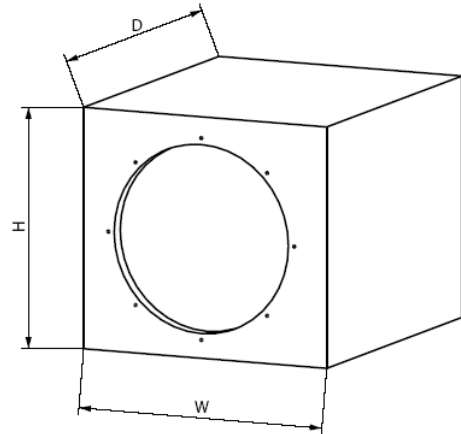
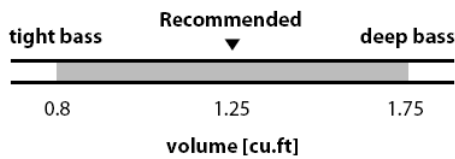
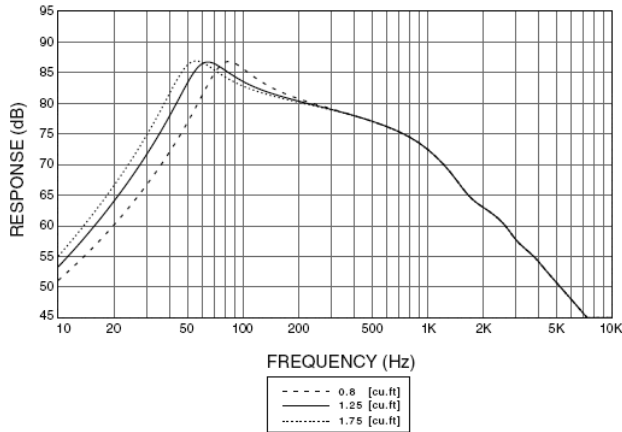


Recommended Enclosures

SEALED

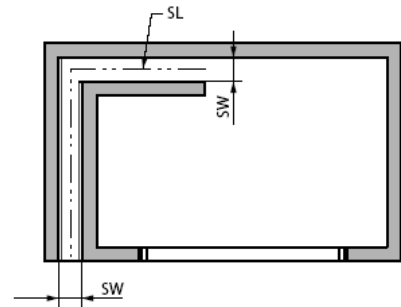
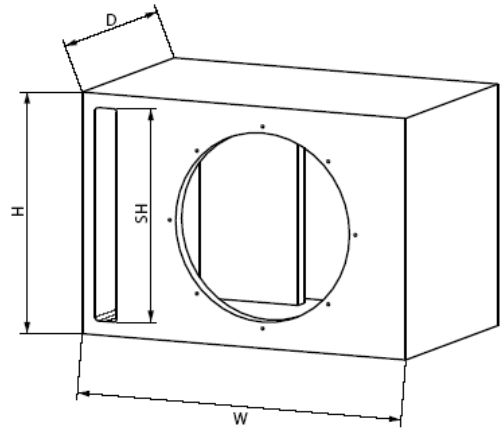
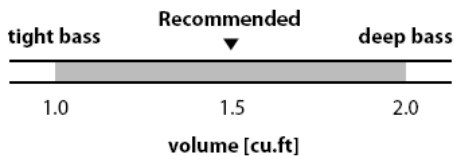
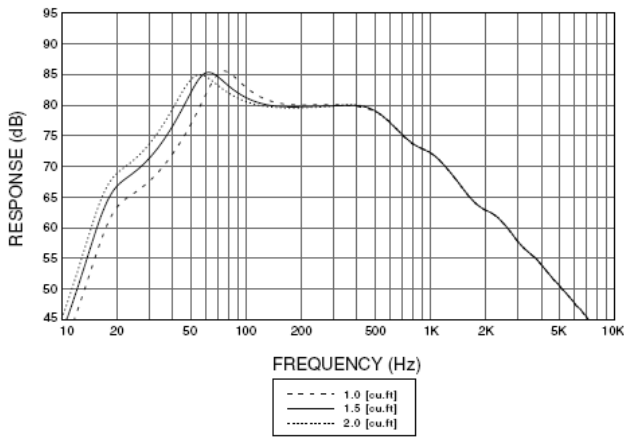


* W, H, D : External Dimensions

Type	Inner Volume	W	H	D	Mounting Hole	Displacement
SEALED	1.25 cft (35.4 Liter)	375 mm (14-3/4")	370 mm (14-9/16")	355 mm (14")	282 mm (11-1/8")	0.11 cu.ft

Use 19 mm (3/4 inch) thick Medium Density Fiberboard (MDF) or High Density Particleboard.

PORTED



* W, H, D : External Dimensions

Type	Inner Volume	W	H	D	Mounting Hole	SW	SH	SL	Displacement
PORTED	1.5 cft (42.5 Liter)	507 mm (19-15/16")	360 mm (14-3/16")	320 mm (12-5/8")	282 mm (11-1/8")	35 mm (1-3/8")	322 mm (12-11/16")	480 mm (18-7/8")	0.11 cu.ft

Use 19 mm (3/4 inch) thick Medium Density Fiberboard (MDF) or High Density Particleboard.